



Fast Streaming Video and High-Resolution Still Image

The DP 450™ 2 Mega Pixels CCD digital camera is designed to match various demands of applications, life- and material science working under low light conditions. It offers exceptional fast streaming video at high resolution on the computer monitor.

Easy-to-use

The DP 450 is a small and compact digital camera with a standard C-mount interface for universal use and flexible attachment to microscopes.

Installation of the electronic connection is also very simple through connecting a single standard USB 2.0 cable between the camera and the computer. The DP 450 uses the USB 2.0 cable for power, control information and to transmit data.

Fast video

The use of the 480 Mbits/s high-speed architecture of the USB 2.0 international standard has allowed the DP 450 to deliver fast streaming colour video in high-resolution on the monitor of the connected computer.

With high frame rate the microscopy image appears on the computer screen without delay. The steady, full-screen live image gives higher user comfort and productivity when focusing and interactively optimizing the image.

Direct Digitalization

In relation to colour quality and precise details the DP 450 demonstrates its superiority. The digitalization of the image signal direct at the sensor allows high transfer speed and reliable data communication with no loss of information or reduction in image quality. Using this technology, the live image is not only noise-free but has also significantly more details than an image generated by a video camera.

Comfortable Operation

The powerful software included with the camera provides a wide range of image capture and image processing functions. Easy handling and a user-friendly application play an important role in the design of the product, making sure that both first-time users and experienced, creative users can take full advantage of digital imaging.

A standard TWAIN interface provides support for a wide range of 3rd party solutions for image capture and data integration with image management, editing and analysis solutions.

The DP 450 digital camera is powerful, compact, easy-to-use and is the ideal first camera for professionals in the fields of industry, research, medicine and natural science.

Features:

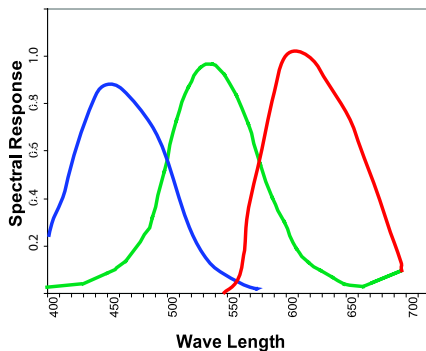
- Excellent performance of a small and compact digital camera for microscopy with exceptional fast live images and high-resolution still image
- Ideal camera for documentation and analyses for an exceptionally wide-ranging spectrum of applications
- Streaming live video on computer monitor through the high-speed USB 2.0 bus at 480 Mbits/s
- Fast streaming colour video images with 12 fps at 1616 x 1216 and higher fps with binning and ROI
- Snapshot capability for acquiring low noise fluorescence images with long exposure
- Perfect image and colour quality with fine details
- Resolution up to 2.000.000 pixels in colour
- Selectable resolution between 307.000, 480.000, 786.000, 1.300.000 and 2.000.000 pixels in colour
- Automatic and manual exposure and sensitivity control
- Superior anti-blooming (overexposure) behaviour
- Easy and flexible daily use with dynamic insertion and removal of the camera to PC and notebook through a single standard USB 2.0 high-speed interface
- Small compact microscopy camera with optical C-mount for easy attachment to a microscope
- Tripod receptable for mounting on stands for macro photography
- Silent operation without noisy fan due to very low power consumption
- Intuitive user interface with powerful and easy-to-use image capture and processing functions
- Standard TWAIN driver for integration to 3rd party imaging application and software
- Standard DirectX driver for integration to 3rd party video application and software
- Support for the Dicom file standard

DP 450 specifications:

Imager

Effective size:	1/1.8" format CCD 8.5 mm x 6.8 mm
Colour filter:	Red, Green, and Blue in Bayer pattern
Effective pixels:	1,616 x 1,216 pixels (2 million)
Pixel size:	4.4 x 4.4 microns
Dynamic range:	>66 dB
Read noise:	12 e-rms
Exposure time:	0.01 milliseconds to 60 seconds
Sensitivity:	ISO 200 to 3500
Binning:	Red, Green, Blue and colour
Exposure sensitivity:	Adjustable from 1 times to 23 times
Exposure mode:	Automatic, manual or converging
Colour balance:	Automatic, manual or spot white balance
Shutter:	Electronic global shutter

Light Source 5,000° K



Digital video

Resolution:	1,616 x 1,216 pixels (more than 12 fps)
	1,280 x 1024 pixels (more than 14 fps)
	1,024 x 768 pixels (more than 18 fps)
	800 x 600 pixels (more than 22 fps)
	640 x 480 pixels (more than 26 fps)
	Binning (more than 30 fps)

Digital still image

Single exposure:	1,616 x 1,216 pixels (2 million pixels)
	24 bit RGB: 3.8 MB
	36 bit RGB: 7.6 MB

Data format & compression

Digital output:	36 bit uncompressed TIFF-RGB (8 bits per colour)
	36 bit uncompressed TIFF-RGB (10 bits per colour)
	36 bit loss-less compressed JPEG2000 (8 bits per colour)
	36 bit compressed JPEG (8 bits per colour)
	36 bit uncompressed DICOM (8 bits per colour)
	36 bit uncompressed video in AVI format (8 bits per colour)

Computer & software

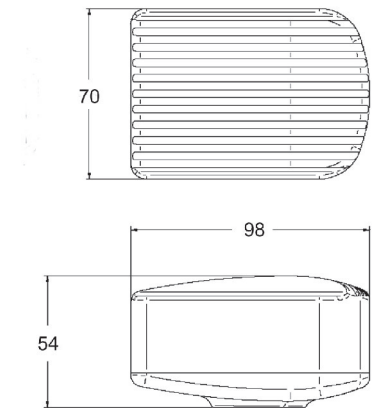
Data interface:	480 Mb/s high-speed USB 2.0 architecture
Cable:	Standard USB 2.0 cable with series "B" connector
Power:	External 5V.
Application interface:	Intuitive, easy-to-use user application
Application support:	TWAIN driver for integration to 3rd party imaging applications
	DirectX driver for integration to 3rd party video applications

Operational requirements

Temperature:	0° C to +50° C
Humidity:	5 % to 95 % RH (non-condensing)

Physical data

Optical mount:	Standard C-mount
Mechanical mount:	Tripod receptacle for macro photography
Housing:	Aluminium with cooling fins
Height:	54 mm
Width:	70 mm
Depth:	98 mm
Weight:	300 g
Compliance:	CE, FCC Class B



Minimum computer platform

Pentium 4, 1.3 GHz or similar
256 MB RAM
15 GB free harddisk space
USB 2.0 Port
Windows XP, Windows 2000

Product includes:

- DP 450 digital camera for USB 2.0
- CD-ROM with
 - Stand-alone user application
 - TWAIN driver
 - DirectX driver
 - Documentation
- USB 2.0 cable (2.0 m)

Optional:

- Software Developer Kit (SDK) for
developing deep integration with other
software applications

Specifications and products are subject to change without any notice or obligation on part of DeltaPix Aps. November 2005.
DeltaPix and DP 450 are trademarks of DeltaPix Aps. All other brands or product names are trademarks or registered trademarks of their respective holder. © 2005 DeltaPix Aps.



Your DeltaPix contact

www.DeltaPix.com